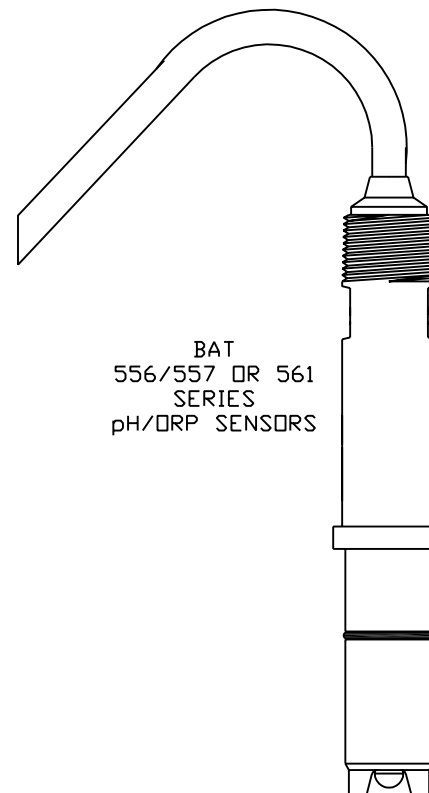
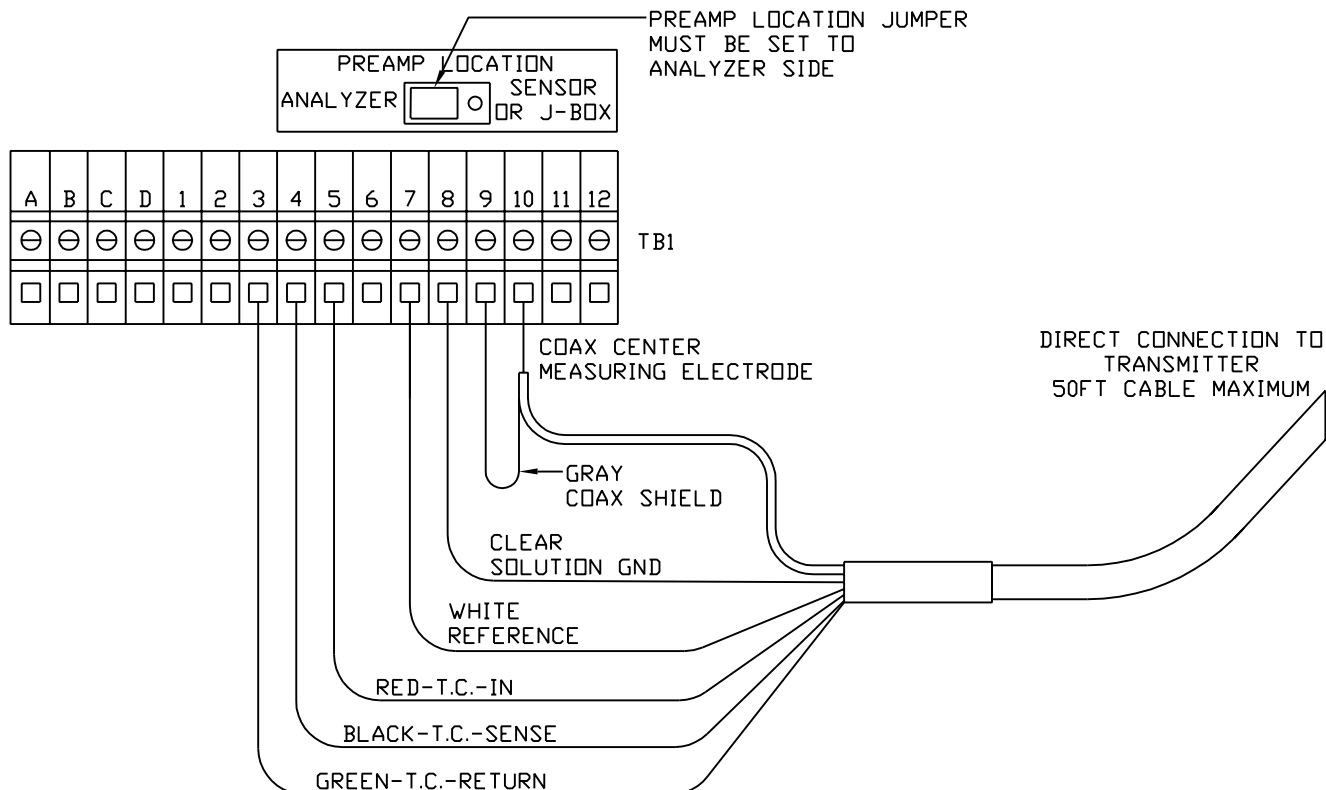


BAT 556/557 OR 561 pH/ORP SENSORS WITH SOLUTION GROUND  
WIRED TO  
ROSEMOUNT 54e TRANSMITTERS



REVISIONS					DIMENSIONS IN INCHES		WIRING OF BAT COMBINATION pH/ORP SENSORS TO ROSEMOUNT 54e TRANSMITTER					
REV	DATE	DESCRIPTION	DWN	APVD	TOLERANCES UNLESS OTHERWISE SPECIFIED		<div style="display: flex; align-items: center; justify-content: space-between;"> <div style="font-size: 2em; font-weight: bold; letter-spacing: 0.5em;">B A T</div> <div style="font-size: 0.8em; font-weight: bold;">BARBEN ANALYZER TECHNOLOGY</div> <div style="font-size: 1.5em; color: blue;">↻</div> </div>					
					DECIMALS	FRACTIONS						
					.0000 +/- .0005	+/- .015				DRAWING NO. 2P0031 CHECKED APPROVED		
					.000 +/- .005	ANGLES						
					.00 +/- .010	+/- 30MIN						
					.0 +/- .15							
					DRAWING BY. HWM		PH(775)882-7900 FAX(775)883-6388					
					SCALE	DATE				SIZE		
					NONE	12/10/01				A		